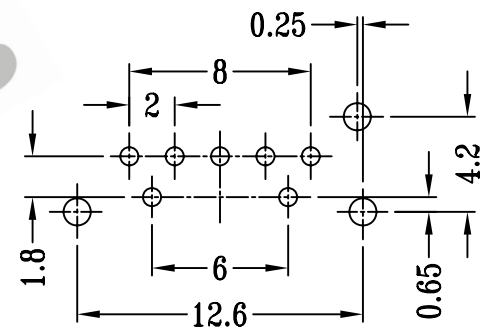
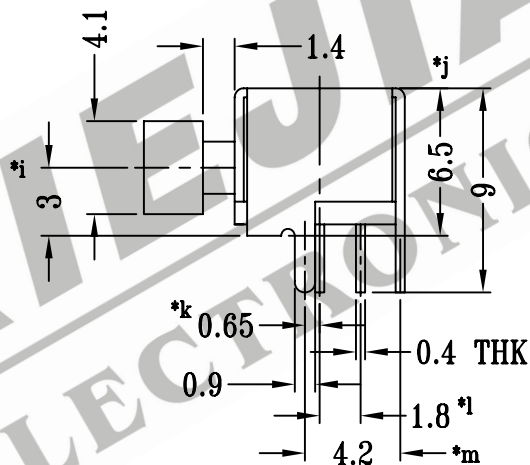
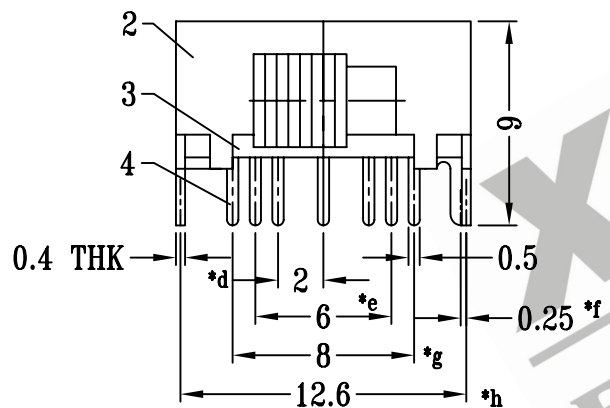
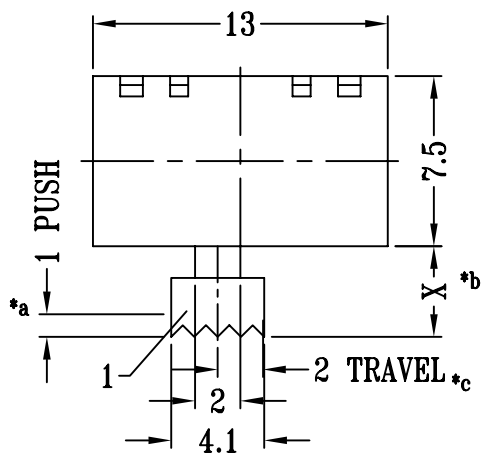
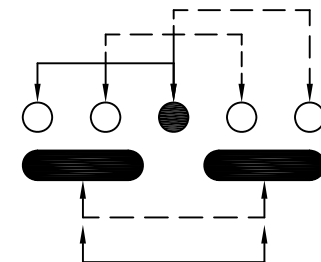


CAD FILE:



P.C.B LAYOUT



SCHEMATIC (NON-SHORTING)

10	SLIDER	POM	1	BLACK
9	STEEL BALL	STEEL	3	NATURAL
8	SCREEN	STAINLESS STEEL	1	NATURAL
7	CONTACT	PBS STRIP	1	Ag PLATED
6	SPRING	STAINLESS STEEL	3	TEMPER
5	CONTACT CLIP	PBS	1	Ag CLAD
4	TERMINAL	BRASS STRIP	7	Au PLATED
3	BASE	PHENOLIC RESIN	1	NATURAL
2	FRAME	STEEL STRIP	1	Ni PLATED
1	KNOB	PC	1	BLACK
NO.	PART NAME	MATERIAL	Q'TY	FINISHING

TOLERANCE UNLESS SPECIFIED		SHENZHEN XIEJIA ELECTRONICS CO.,LTD.		
WITHIN: 1.5±0.1mm		ISSUE	DATE	DESCRIPTIONS
OVER : 1.5±0.2mm				APPD.
TITLE : PUSH SWITCH		UNIT : MM	DRWG NO.: XJ-DR-PS11BSK13D02-00	
MODEL: PS-11B-SK-13D02		SCALE: 3:1	DWN. ZHOUYU	2003-4-19
ALL MATERIALS MUST BE COMPLIANT TO ROHS			CHK'D FANGYING	2003-4-19
			APPD. KANGXINAN	2003-4-19

注:带"*"表示关键尺寸(13个)